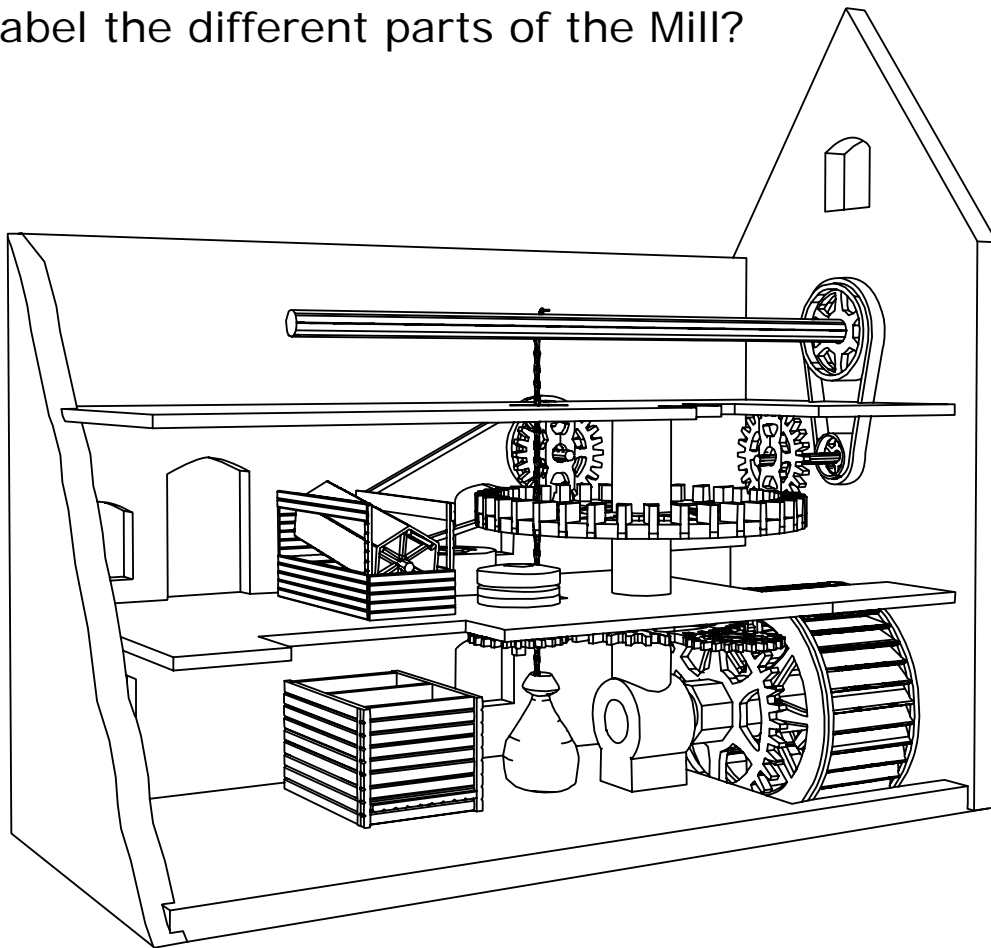


Can you label the different parts of the Mill?



Clues: waterwheel; sack; gears; pulley; belt; sieving machine; flour bin; mill stones.